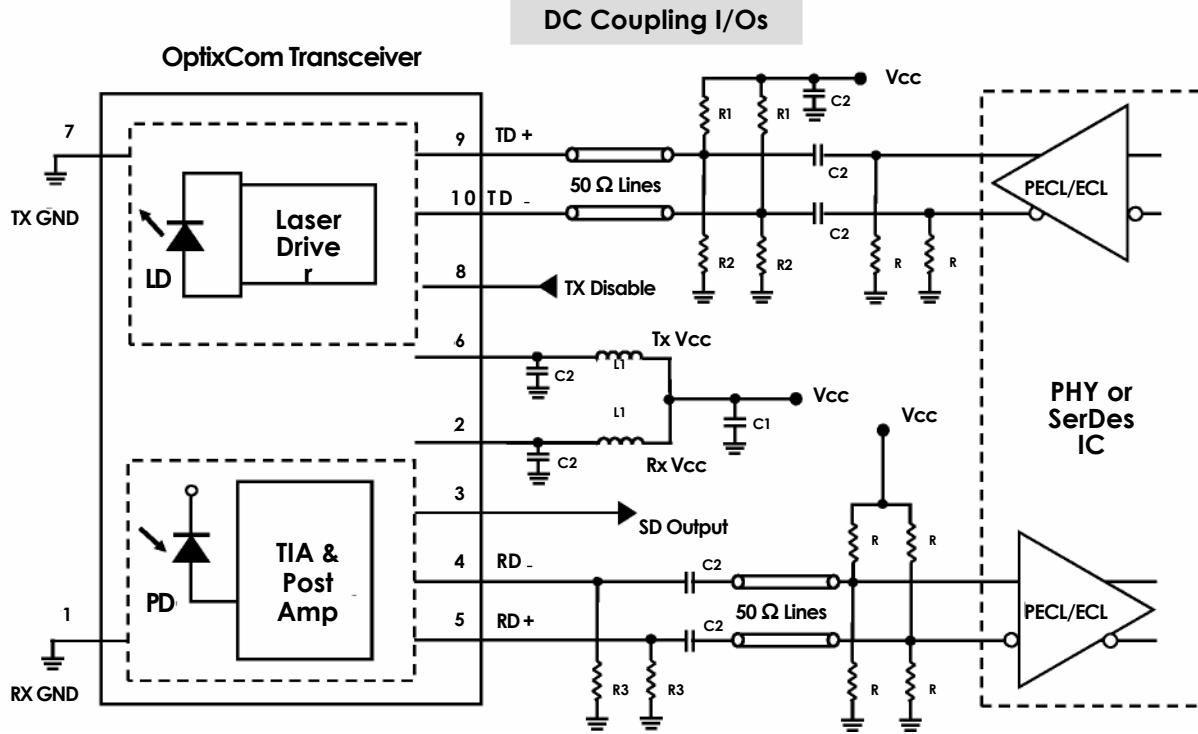


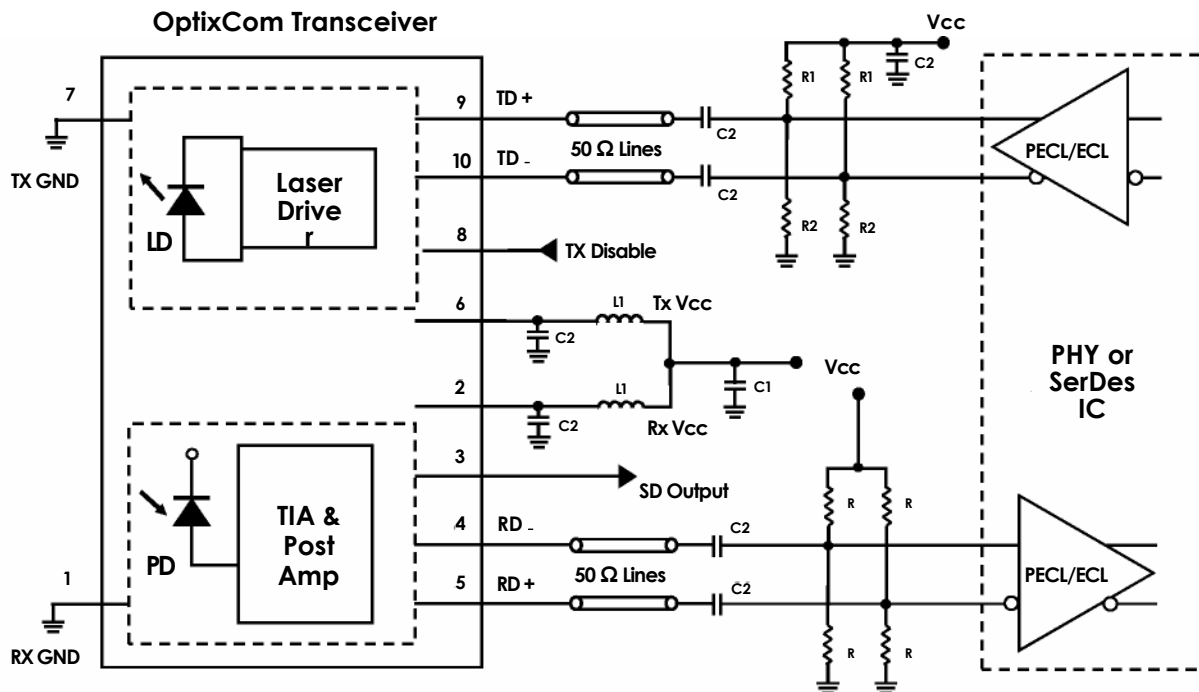


## B. Recommended Interface Circuit

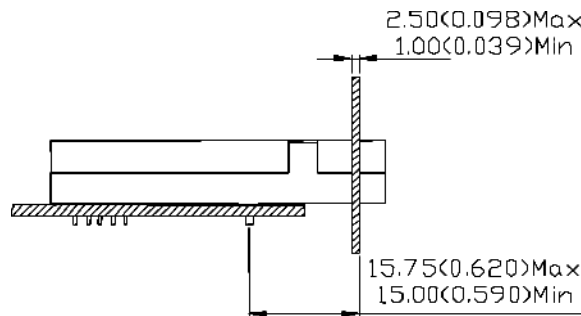
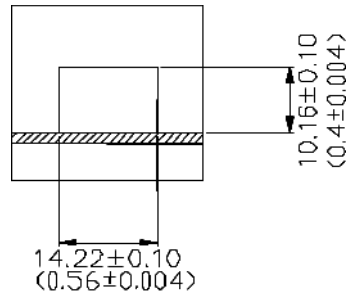
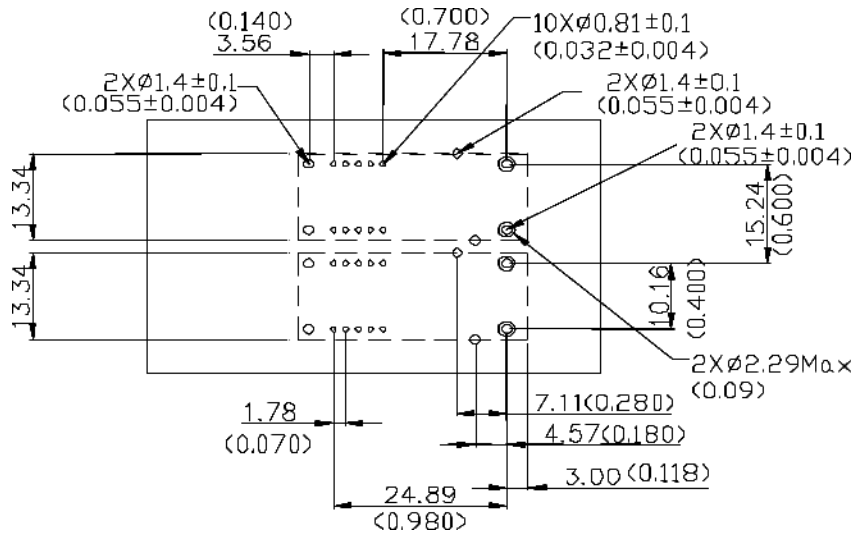


C1: 4.7  $\mu$ F, C2: 100 nF, L1: 1  $\mu$ H, R1: 82  $\Omega$ , R2: 130  $\Omega$ , R3: 180  $\Omega$ , R: depends on SerDes IC

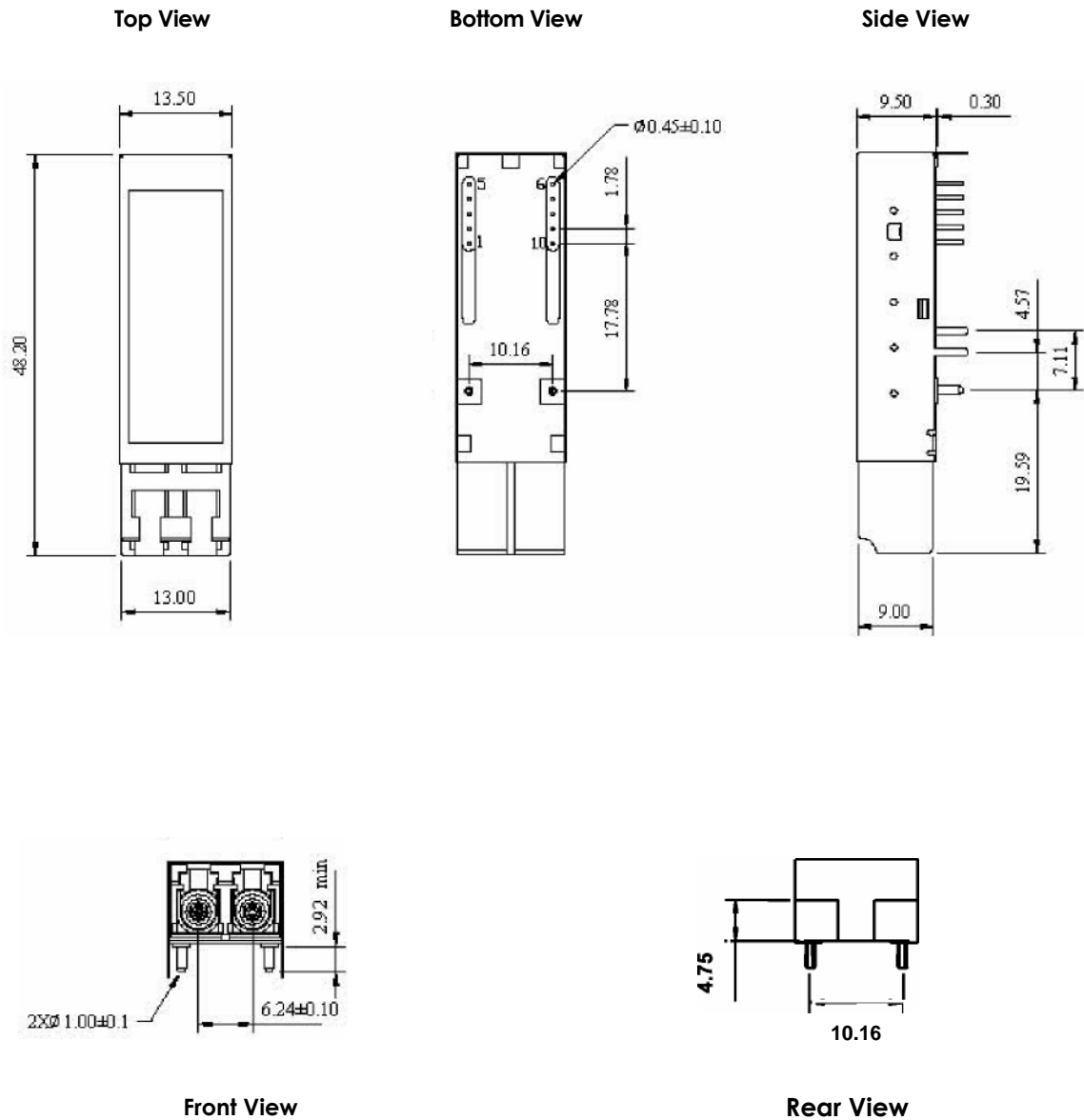
## AC Coupling I/Os



## C. Host Board Mechanical Layout



## D. Package Outline



Unit: mm, typical tolerance for these dimensions is 0.2 mm